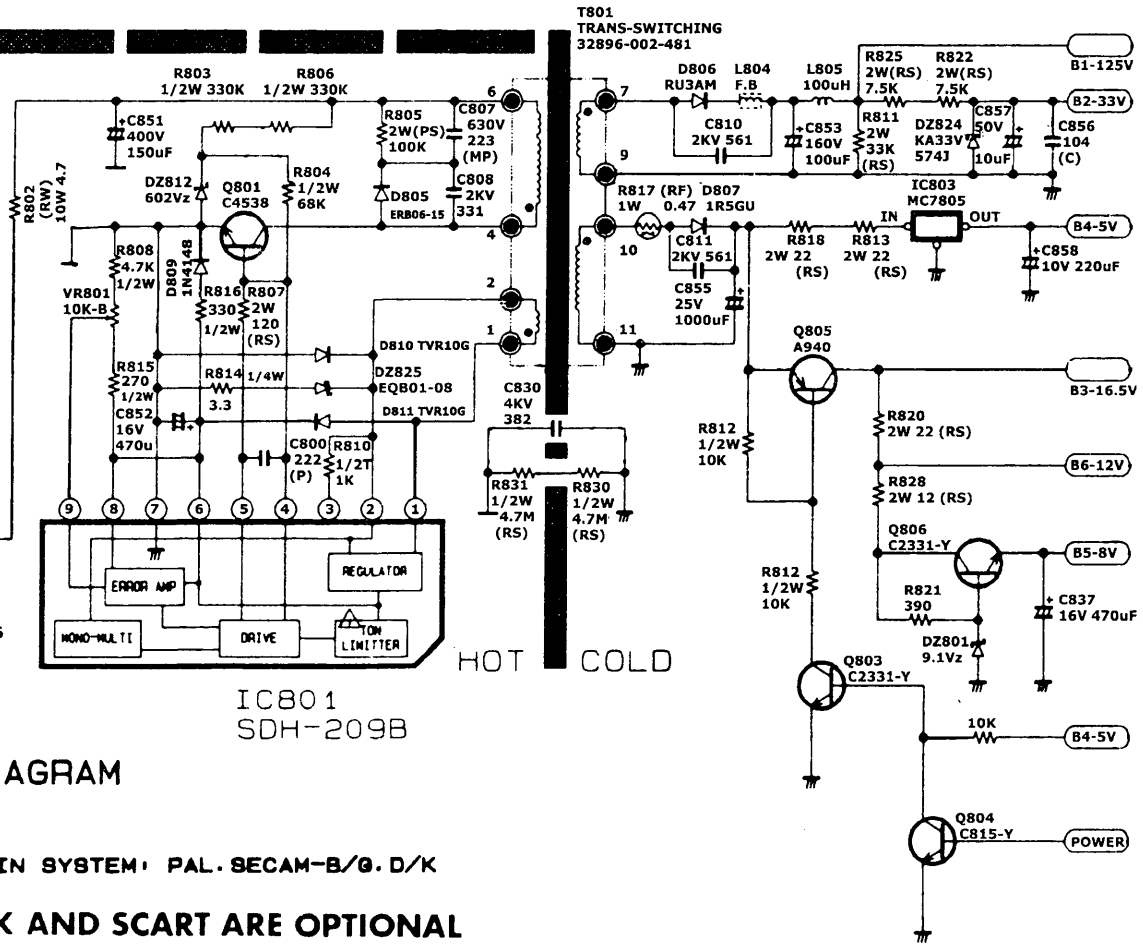


Dragoljub Janković
microe@ptt.yu
031/ 512 402 - 514 582



SCHEMATIC DIAGRAM
CHASSIS : P68SA1

BOARD NAME : MAIN SYSTEM: PAL . SECAM-B/G . D/K

NOTE: SECAM, D/K AND SCART ARE OPTIONAL

