

RC431A

Low-Voltage Adjustable Precision Shunt Regulator

Features

- Low voltage operation to 1.24V
- 1% reference voltage tolerance
- Output voltage adjustable from V_{ref} to 6V
- Low 80 μ A operational cathode current
- 0.25 Ω typical output impedance
- TO-92 and SOT23-5 packages

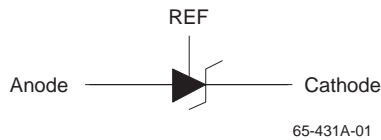
Applications

- Voltage reference for discrete power circuits

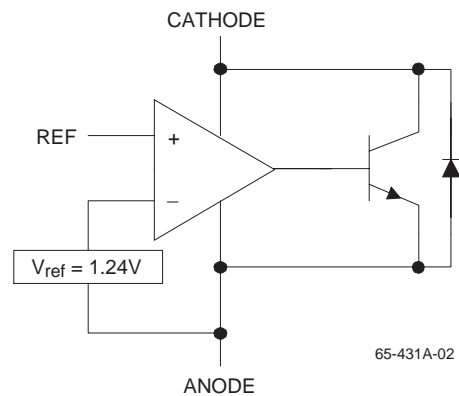
Description

The RC431A is a low-voltage 3-terminal adjustable precision voltage reference regulator. It has an excellent thermal stability over the standard commercial temperature range. The output voltage can be set to any value between V_{ref} (1.24V) and 6V using two external resistors. The RC431A operates from a lower voltage (1.24V) than the traditional shunt regulator references which operate from 2.5V. When used with an optocoupler, the RC431A will be an ideal voltage reference in an isolated feedback circuit for use in switched-mode power supplies and modular DC-DC converters. The RC431A has a low output impedance of active output circuitry offering a very sharp turn-on characteristic. The RC431A will be an excellent replacement for low-voltage zener diodes in many applications such as on-board regulation and adjustable power supplies.

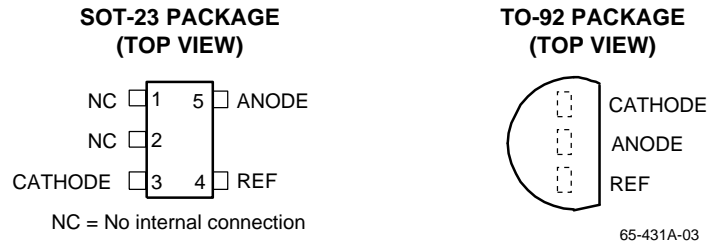
Symbol



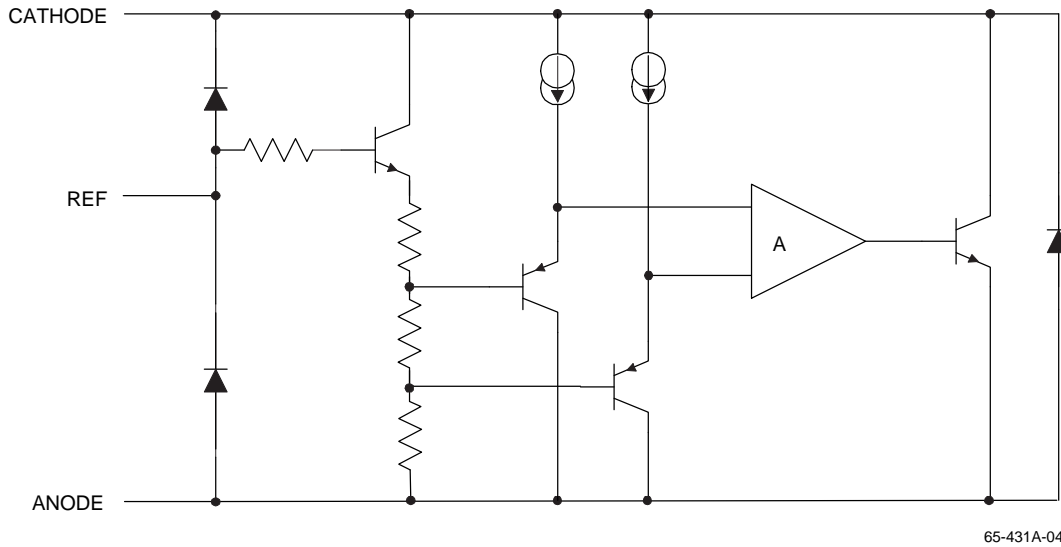
Block Diagram



Pin Assignments



Equivalent Schematic



Absolute Maximum Ratings

Ratings are over full operating free-air temperature range unless otherwise noted.

| | |
|----------------------------------|------------------------------|
| Cathode voltage, V_{KA} | 7V |
| Continuous cathode current I_K | -20mA to 20mA |
| Reference current, I_{ref} | -0.05mA to 3mA |
| Power dissipation | See Dissipation Rating Table |
| Storage temperature range | -65° to 150°C |

Notes:

- Functional operation under these conditions is not implied. Permanent damage may occur if the device is subjected to conditions outside these ratings.

Recommended Operating Conditions

| Parameter | Min. | Max. | Units |
|--|-----------|------|-------|
| Cathode voltage, V_{KA} | V_{REF} | 6 | V |
| Cathode current, I_K | 0.1 | 15 | mA |
| Operating temperature range in free-air, T_A | 0 | 70 | °C |

Dissipation Rating Table

| Package | Power Rating T _A ≤ 25°C | Derating Factor T _A ≥ 25°C | Power Rating T _A = 70°C |
|---------|---------------------------------------|--|---------------------------------------|
| TO-92 | 775mW | 6.2mW/°C | 496mW |
| SOT23-5 | 150mW | 1.2mW/°C | 96mW |

Electrical Specifications

T_A = 25°C (unless otherwise noted), at free-air

| Symbol | Parameters | Conditions | Min. | Typ. | Max. | Units |
|--|---|---|-------|-------|-------|----------------|
| V _{ref} | Reference Voltage | V _{KA} = V _{ref} , T _A = 25°C | 1.228 | 1.24 | 1.252 | V |
| | | I _K = 10mA, T _A = 0 to 70°C | 1.221 | | 1.259 | |
| V _{ref} (dev) | V _{ref} deviation over full temperature range (see note 2) | V _{KA} = V _{ref} , I _K = 10mA, See note 2 and Figure 1. | | 4 | 12 | mV |
| $\frac{\Delta V_{ref}}{\Delta V_{KA}}$ | Ratio of V _{ref} change in cathode voltage change | I _K = 10mA, ΔV _{KA} = V _{ref} to 6V. See figure 2. | | -1.5 | -2.7 | $\frac{mV}{V}$ |
| I _{ref} | Reference terminal current | I _K = 10mA, R1 = 10KΩ, R2 = ∞ See figure 2. | | 0.15 | 0.5 | μA |
| I _{ref} (dev) | I _{ref} deviation over full temperature range (see note 2) | I _K = 10mA, R1 = 10KΩ, R2 = ∞ See note 1 & figure 2. | | 0.05 | 0.3 | μA |
| I _K (min) | Minimum cathode current for regulation | V _{KA} = V _{ref} See figure 1. | | 55 | 80 | μA |
| I _{off} | Off-state cathode current | V _{KA} = 6V, V _{ref} = 0 See figure 3. | | 0.001 | 0.1 | μA |
| Z _{KA} | Dynamic impedance (see note 3) | V _{KA} = V _{ref} , f ≤ 1KHz I _K = 0.1mA to 15mA, See figure 1. | | 0.25 | 0.4 | Ω |

Notes:

- Functional operation under these conditions is not implied. Permanent damage may occur if the device is subjected to conditions outside these ratings.
- Full temperature range is 0°C to 70°C.
- The deviation parameters V_{ref}(dev) and I_{ref}(dev) are defined as the differences between the maximum and minimum values obtained over the rated temperature range. The average full-range temperature coefficient of the reference input voltage, ∞V_{ref}, is defined as:

$$|\infty V_{ref}| \langle \text{ppm}/^\circ\text{C} \rangle = \frac{\{V_{ref}(\text{dev})/V_{ref}(T_A = 25^\circ\text{C})\} \times 10^6}{\Delta T_A}$$

where ΔT_A is the rated operating free-air temperature range of the device.

∞V_{ref} can be positive or negative depending on whether minimum V_{ref} or maximum V_{ref}, respectively, occurs at the lower temperature.

- The dynamic impedance is defined as: |Z_{KA}| = ΔV_{KA} / ΔI_K

When the device is operating with two external resistors (see Figure 2), the total dynamic impedance of the circuit is given

by:

$$|Z_{KA}| = \frac{\Delta V}{\Delta I} \approx |Z_{KA}| \times \left(1 + \frac{R_1}{R_2}\right)$$

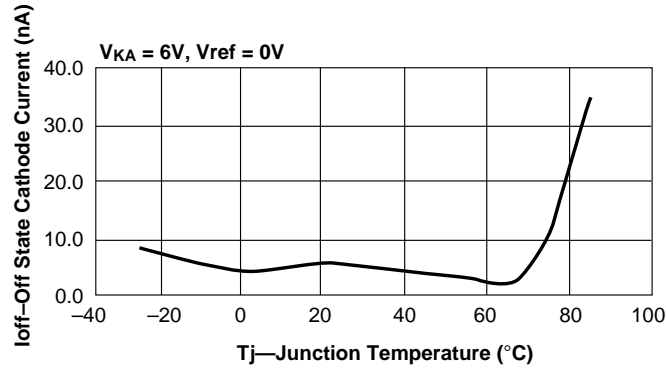


Figure 8. Off-State Cathode Current vs. Junction Temperature

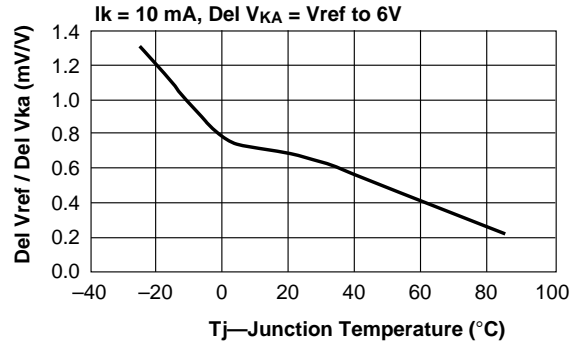


Figure 9. Ratio of Delta Reference Voltage to Delta Cathode Voltage vs. Junction Temperature

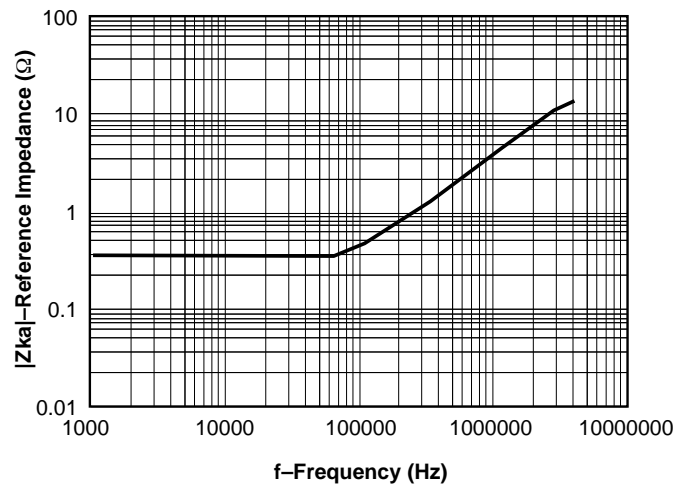


Figure 10. Reference Impedance vs. Frequency

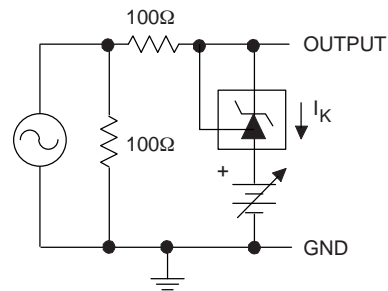


Figure 11. Test Circuit for Reference Impedance

Parameter Measurement Information

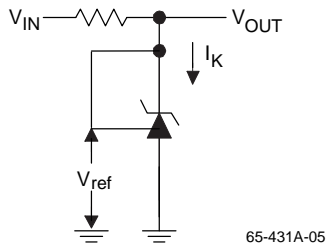


Figure 1. Test Circuit for $V_{KA} = V_{REF}$, $V_{OUT} = V_{KA} = V_{REF}$

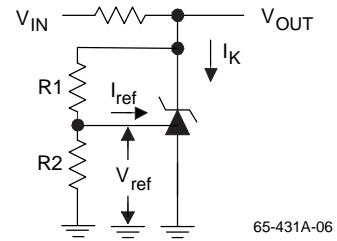


Figure 2. Test Circuit for $V_{KA} > V_{REF}$, $V_{OUT} = V_{KA} = V_{REF} \times (1 + R1/R2) + I_{REF} \times R1$

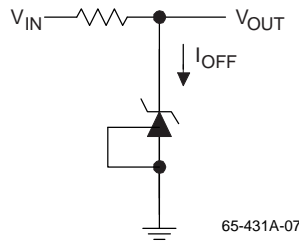


Figure 3. Test Circuit for I_{OFF}

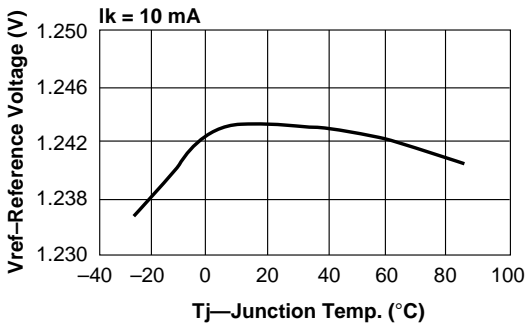


Figure 4. Reference Voltage vs. Junction Temp.

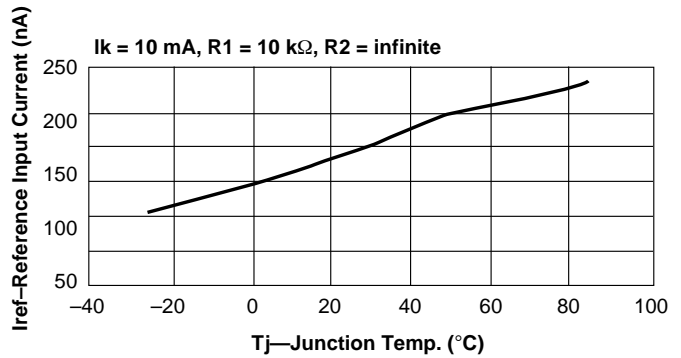


Figure 5. Reference Input Current vs. Junction Temp.

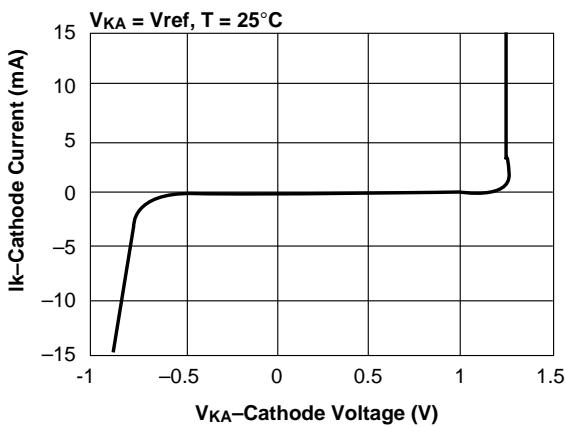


Figure 6. Cathode Current vs. Cathode Voltage

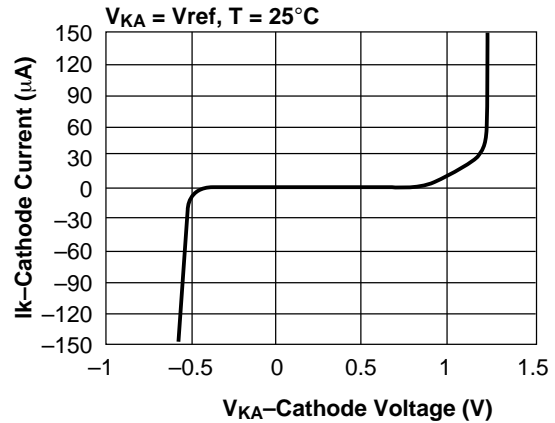


Figure 7. Cathode Current vs. Cathode Voltage

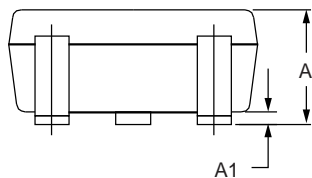
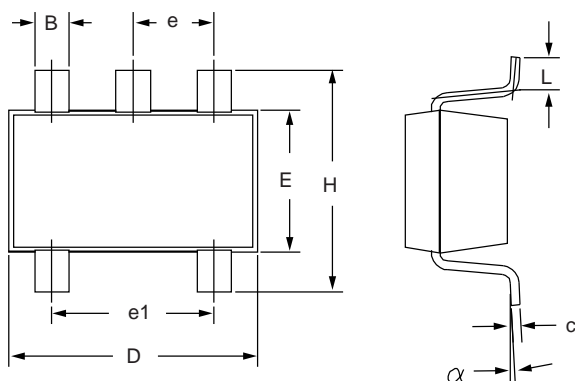
Mechanical Dimensions (continued)

SOT23-5 Package

| Symbol | Inches | | Millimeters | | Notes |
|----------|----------|------|-------------|------|-------|
| | Min. | Max. | Min. | Max. | |
| A | .170 | .195 | .90 | 1.45 | |
| A1 | .014 | .020 | .00 | .15 | |
| B | .008 | .020 | .20 | .50 | |
| c | .003 | .010 | .08 | .25 | |
| D | .106 | .122 | 2.70 | 3.10 | |
| E | .059 | .071 | 1.50 | 1.80 | |
| e | .037 BSC | | .95 BSC | | |
| e1 | .075 BSC | | 1.90 BSC | | |
| H | .087 | .126 | 2.20 | 3.20 | |
| L | .004 | .024 | .10 | .60 | |
| α | 0° | 10° | 0° | 10° | |

Notes:

1. Package outline exclusive of mold flash & metal burr.
2. Package outline exclusive of solder plating.
3. EIAJ Ref Number SC-74A.



Ordering Information

| Product Number | Package |
|----------------|---------|
| RC431AM | SOT23-5 |
| RC431AT | TO-92 |

LIFE SUPPORT POLICY

FAIRCHILD'S PRODUCTS ARE NOT AUTHORIZED FOR USE AS CRITICAL COMPONENTS IN LIFE SUPPORT DEVICES OR SYSTEMS WITHOUT THE EXPRESS WRITTEN APPROVAL OF THE PRESIDENT OF FAIRCHILD SEMICONDUCTOR CORPORATION. As used herein:

1. Life support devices or systems are devices or systems which, (a) are intended for surgical implant into the body, or (b) support or sustain life, and (c) whose failure to perform when properly used in accordance with instructions for use provided in the labeling, can be reasonable expected to result in a significant injury of the user.
2. A critical component in any component of a life support device or system whose failure to perform can be reasonably expected to cause the failure of the life support device or system, or to affect its safety or effectiveness.

Fairchild Semiconductor Corporation
Americas
Customer Response Center
Tel:1-888-522-5372

Fairchild Semiconductor Europe
Fax: +49 (0) 1 80-530 85 86
Email: europe.support@nsc.com
Deutsch Tel: +49 (0) 8 141-35-0
English Tel: +44 (0) 1 793-85-68-56
Italy Tel: +39 (0) 2 57 5631

Fairchild Semiconductor Hong Kong Ltd.
13th Floor, Straight Block,
Ocean Center, 5 Canto Rd.
Tsimshatsui, Kowloon
Hong Kong
Tel:+852 2737-7200
Fax:+852 2314-0061

National Semiconductor Japan Ltd.
Tel:81-3-5620-6175
Fax:81-3-5620-6179