

FEATURES

Modulated serial digital output, proportional to temperature

±0.5°C accuracy at 25°C

±1.0°C accuracy from 0°C to 70°C

Two grades available

Operation from -40°C to +150°C

Operation from 3 V to 5.5 V

Power consumption 70 µW maximum at 3.3 V

CMOS/TTL-compatible output on TMP05

Flexible open-drain output on TMP06

Small, low cost 5-pin SC-70 and SOT-23 packages

APPLICATIONS

Isolated sensors

Environmental control systems

Computer thermal monitoring

Thermal protection

Industrial process control

Power system monitors

GENERAL DESCRIPTION

The TMP05/TMP06 are monolithic temperature sensors that generate a modulated serial digital output (PWM), which varies in direct proportion to the temperature of the devices. The high period (T_H) of the PWM remains static over all temperatures, while the low period (T_L) varies. The B Grade version offers a higher temperature accuracy of ±1°C from 0°C to 70°C, with excellent transducer linearity. The digital output of the TMP05/TMP06 is CMOS/TTL compatible, and is easily interfaced to the serial inputs of most popular microprocessors. The flexible open-drain output of the TMP06 is capable of sinking 3 mA.

The TMP05/TMP06 are specified for operation at supply voltages from 3 V to 5.5 V. Operating at 3.3 V, the supply current (unloaded) is typically 230 µA. The TMP05/TMP06 are rated for operation over the -40°C to +150°C temperature range. They are packaged in low cost, low area SC-70 and SOT-23 packages.

The TMP05/TMP06 have three modes of operation: continuously converting mode, daisy-chain mode, and one shot mode. A three-state FUNC input determines the mode in which the TMP05/TMP06 operate.

Rev. PrK

Information furnished by Analog Devices is believed to be accurate and reliable. However, no responsibility is assumed by Analog Devices for its use, nor for any infringements of patents or other rights of third parties that may result from its use. Specifications subject to change without notice. No license is granted by implication or otherwise under any patent or patent rights of Analog Devices. Trademarks and registered trademarks are the property of their respective owners.

FUNCTIONAL BLOCK DIAGRAM

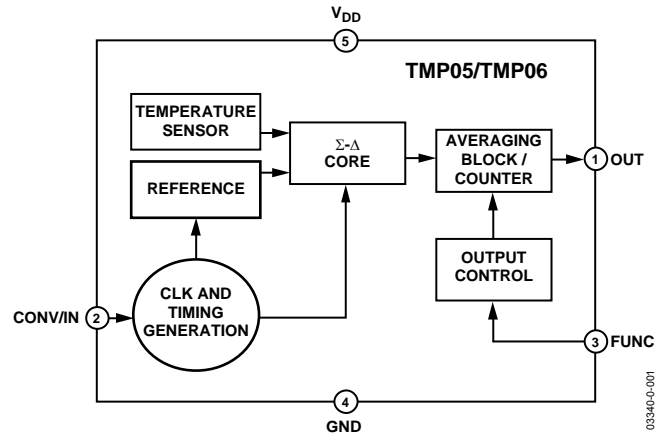


Figure 1.

The CONV/IN input pin is used to determine the rate with which the TMP05/TMP06 measure temperature in continuously converting mode and one shot mode. In daisy-chain mode, the CONV/IN pin operates as the input to the daisy chain.

PRODUCT HIGHLIGHTS

1. The TMP05/TMP06 have an on-chip temperature sensor that allows an accurate measurement of the ambient temperature. The measurable temperature range is -40°C to +150°C.
2. Supply voltage of 3 V to 5.5 V.
3. Space-saving 5-lead SOT-23 and SC-70 packages.
4. Temperature accuracy of ±0.5°C.
5. 0.02°C temperature resolution.
6. The TMP05/TMP06 feature a one shot mode that reduces the power consumption to 2.57 µW at one sample per second.

TABLE OF CONTENTS

| | | | |
|--|----|------------------------------|----|
| Specifications..... | 3 | Operating Modes..... | 13 |
| TMP05A/TMP06A Specifications | 3 | TMP05 Output | 16 |
| TMP05B/TMP06B Specifications | 5 | TMP06 Output | 16 |
| Timing Characteristics | 7 | Application Hints | 17 |
| Absolute Maximum Ratings..... | 8 | Thermal Response Time | 17 |
| ESD Caution..... | 8 | Self-Heating Effects..... | 17 |
| Pin Configuration and Function Descriptions..... | 9 | Supply Decoupling | 17 |
| Typical Performance Characteristics | 10 | Temperature Monitoring..... | 17 |
| Theory of Operation | 13 | Daisy-Chain Application..... | 18 |
| Circuit Information..... | 13 | Outline Dimensions | 23 |
| Converter Details..... | 13 | Ordering Guide | 23 |
| Functional Description..... | 13 | | |

REVISION HISTORY

Revision PrK: Preliminary Version

SPECIFICATIONS

TMP05A/TMP06A SPECIFICATIONS

All A Grade specifications apply for -40°C to $+150^{\circ}\text{C}$; $T_A = T_{\text{MIN}}$ to T_{MAX} , $V_{\text{DD}} = 3.0\text{ V}$ to 5.5 V , unless otherwise noted.

Table 1.

| Parameter | Min | Typ | Max | Unit | Test Conditions/Comments |
|---|-----|------------------|-----------|-----------------------------------|---|
| TEMPERATURE SENSOR AND ADC | | | | | |
| Nominal Conversion Rate | | | | | |
| Accuracy @ $V_{\text{DD}} = 3.3\text{ V}$ ($3.0\text{ V} - 3.6\text{ V}$) | | | ± 1 | $^{\circ}\text{C}$ | See Table 7 $T_A = 25^{\circ}\text{C}$ |
| | | | ± 2 | $^{\circ}\text{C}$ | $T_A = 0^{\circ}\text{C}$ to 70°C |
| | | | ± 3 | $^{\circ}\text{C}$ | $T_A = -40^{\circ}\text{C}$ to $+85^{\circ}\text{C}$ |
| | | | ± 4 | $^{\circ}\text{C}$ | $T_A = -40^{\circ}\text{C}$ to $+125^{\circ}\text{C}$ |
| | | | $\pm 5^1$ | $^{\circ}\text{C}$ | $T_A = -40^{\circ}\text{C}$ to $+150^{\circ}\text{C}$ |
| Accuracy @ $V_{\text{DD}} = 5\text{ V}$ ($4.5\text{ V} - 5.5\text{ V}$) | | | ± 1 | $^{\circ}\text{C}$ | $T_A = 25^{\circ}\text{C}$ |
| | | | ± 2 | $^{\circ}\text{C}$ | $T_A = 0^{\circ}\text{C}$ to 70°C |
| | | | ± 3 | $^{\circ}\text{C}$ | $T_A = -40^{\circ}\text{C}$ to $+85^{\circ}\text{C}$ |
| | | | ± 4 | $^{\circ}\text{C}$ | $T_A = -40^{\circ}\text{C}$ to $+125^{\circ}\text{C}$ |
| | | | $\pm 5^1$ | $^{\circ}\text{C}$ | $T_A = -40^{\circ}\text{C}$ to $+150^{\circ}\text{C}$ |
| Temperature Resolution | | 0.025 | | $^{\circ}\text{C}/5\ \mu\text{s}$ | Step size for every $5\ \mu\text{s}$ on T_L |
| T_H Pulse Width | | 40 | | ms | $T_A = 25^{\circ}\text{C}$, nominal conversion rate |
| T_L Pulse Width | | 76 | | ms | $T_A = 25^{\circ}\text{C}$, nominal conversion rate |
| Quarter Period Conversion Rate | | | | | |
| Accuracy @ $V_{\text{DD}} = 3.3\text{ V}$ ($3.0\text{ V} - 3.6\text{ V}$) | | TBD | | $^{\circ}\text{C}$ | See Table 7 $T_A = 25^{\circ}\text{C}$ |
| | | TBD | | $^{\circ}\text{C}$ | $T_A = 0^{\circ}\text{C}$ to 70°C |
| | | TBD | | $^{\circ}\text{C}$ | $T_A = -40^{\circ}\text{C}$ to $+85^{\circ}\text{C}$ |
| | | TBD | | $^{\circ}\text{C}$ | $T_A = -40^{\circ}\text{C}$ to $+125^{\circ}\text{C}$ |
| | | TBD ¹ | | $^{\circ}\text{C}$ | $T_A = -40^{\circ}\text{C}$ to $+150^{\circ}\text{C}$ |
| Accuracy @ $V_{\text{DD}} = 5\text{ V}$ ($4.5\text{ V} - 5.5\text{ V}$) | | TBD | | $^{\circ}\text{C}$ | $T_A = 25^{\circ}\text{C}$ |
| | | TBD | | $^{\circ}\text{C}$ | $T_A = 0^{\circ}\text{C}$ to 70°C |
| | | TBD | | $^{\circ}\text{C}$ | $T_A = -40^{\circ}\text{C}$ to $+85^{\circ}\text{C}$ |
| | | TBD | | $^{\circ}\text{C}$ | $T_A = -40^{\circ}\text{C}$ to $+125^{\circ}\text{C}$ |
| | | TBD ¹ | | $^{\circ}\text{C}$ | $T_A = -40^{\circ}\text{C}$ to $+150^{\circ}\text{C}$ |
| Temperature Resolution | | 0.1 | | $^{\circ}\text{C}/5\ \mu\text{s}$ | Step size for every $5\ \mu\text{s}$ on T_L |
| T_H Pulse Width | | 10 | | ms | $T_A = 25^{\circ}\text{C}$, QP conversion rate |
| T_L Pulse Width | | 19 | | ms | $T_A = 25^{\circ}\text{C}$, QP conversion rate |
| Double High/Quarter Low Conversion Rate | | | | | |
| Accuracy @ $V_{\text{DD}} = 3.3\text{ V}$ ($3.0\text{ V} - 3.6\text{ V}$) | | TBD | | $^{\circ}\text{C}$ | See Table 7 $T_A = 25^{\circ}\text{C}$ |
| | | TBD | | $^{\circ}\text{C}$ | $T_A = 0^{\circ}\text{C}$ to 70°C |
| | | TBD | | $^{\circ}\text{C}$ | $T_A = -40^{\circ}\text{C}$ to $+85^{\circ}\text{C}$ |
| | | TBD | | $^{\circ}\text{C}$ | $T_A = -40^{\circ}\text{C}$ to $+125^{\circ}\text{C}$ |
| | | TBD ¹ | | $^{\circ}\text{C}$ | $T_A = -40^{\circ}\text{C}$ to $+150^{\circ}\text{C}$ |
| Accuracy @ $V_{\text{DD}} = 5\text{ V}$ ($4.5\text{ V} - 5.5\text{ V}$) | | TBD | | $^{\circ}\text{C}$ | $T_A = 25^{\circ}\text{C}$ |
| | | TBD | | $^{\circ}\text{C}$ | $T_A = 0^{\circ}\text{C}$ to 70°C |
| | | TBD | | $^{\circ}\text{C}$ | $T_A = -40^{\circ}\text{C}$ to $+85^{\circ}\text{C}$ |
| | | TBD | | $^{\circ}\text{C}$ | $T_A = -40^{\circ}\text{C}$ to $+125^{\circ}\text{C}$ |
| | | TBD ¹ | | $^{\circ}\text{C}$ | $T_A = -40^{\circ}\text{C}$ to $+150^{\circ}\text{C}$ |
| Temperature Resolution | | 0.1 | | $^{\circ}\text{C}/5\ \mu\text{s}$ | Step size for every $5\ \mu\text{s}$ on T_L |
| T_H Pulse Width | | 80 | | ms | $T_A = 25^{\circ}\text{C}$, DH/QL conversion rate |
| T_L Pulse Width | | 19 | | ms | $T_A = 25^{\circ}\text{C}$, DH/QL conversion rate |

See notes at end of table.

| Parameter | Min | Typ | Max | Unit | Test Conditions/Comments |
|--|-----------------------|-------|-----------------------|------|--|
| Power Supply Rejection Ratio ³ | | 0.75 | 0.9 | °C/V | T _A = 25°C |
| Supply Current | | | | | |
| Normal Mode ² @ 3.3 V | | 230 | 450 | µA | Continuously converting, daisy-chain, and one shot modes at nominal conversion rates |
| Normal Mode ² @ 5.0 V | | 300 | 500 | µA | Continuously converting, daisy-chain, and one shot modes at nominal conversion rates |
| Quiescent ² @ 3.3 V | | 3 | 8 | µA | Device not converting, output is high |
| Quiescent ² @ 5.5 V | | 5 | 10 | µA | Device not converting, output is high |
| One Shot Mode @ 1 SPS | | 21.16 | | µA | Average current @ V _{DD} = 3.3 V, nominal conversion rate |
| One Shot Mode @ 1 SPS | | 28.6 | | µA | Average current @ V _{DD} = 5.0 V, nominal conversion rate |
| Power Dissipation | | 759 | | µW | V _{DD} = 3.3 V, continuously converting at nominal conversion rates |
| 1 SPS | | 69.83 | | µW | Average power dissipated for V _{DD} = 3.3 V, one shot mode |
| 1 SPS | | 143 | | µW | Average power dissipated for V _{DD} = 5.0 V, one shot mode |
| TMP05 OUTPUT (PUSH-PULL)³ | | | | | |
| Output High Voltage, V _{OH} | V _{DD} - 0.3 | | | V | I _{OH} = 800 µA |
| Output Low Voltage, V _{OL} | | | 0.4 | V | I _{OL} = 800 µA |
| Output High Current, I _{OUT} | | | 2 | mA | |
| Pin Capacitance | | 10 | | pF | |
| High Output Leakage Current, I _{OH} | | 0.1 | 5 | µA | PWM _{OUT} = 5.5 V |
| Rise Time, ⁴ t _{LH} | | 50 | | ns | |
| Fall Time, ⁴ t _{HL} | | 50 | | ns | |
| R _{ON} Resistance (Low Output) | | 55 | | Ω | Supply and temperature dependent |
| TMP06 OUTPUT (OPEN DRAIN)³ | | | | | |
| Output Low Voltage, V _{OL} | | | 0.4 | V | I _{OL} = 1.6 mA |
| Output Low Voltage, V _{OL} | | | 1.2 | V | I _{OL} = 5.0 mA |
| Sink Current, I _{SINK} | | | 3 | mA | |
| Pin Capacitance | | 10 | | pF | |
| High Output Leakage Current, I _{OH} | | 0.1 | 5 | µA | PWM _{OUT} = 5.5 V |
| Device Turn-On Time | | 20 | | ms | |
| Fall Time, ⁵ t _{HL} | | 30 | | ns | |
| R _{ON} Resistance (Low Output) | | 55 | | Ω | Supply and temperature dependent |
| DIGITAL INPUTS³ | | | | | |
| Input Current | | | ±5 | µA | V _{IN} = 0 V to V _{DD} |
| Input Low Voltage, V _{IL} | | | 0.3 × V _{DD} | V | |
| Input High Voltage, V _{IH} | 0.7 × V _{DD} | | | V | |
| Pin Capacitance | 3 | | 10 | pF | |

¹ It is not recommended to operate the device at temperatures above 125°C for greater than a total of 5% of the lifetime of the device. Any exposure beyond this limit affects device reliability.

² Normal mode current relates to current during T_L. TMP05/TMP06 are not converting during T_H, so quiescent current relates to current during T_H.

³ Guaranteed by design and characterization, not production tested.

⁴ Test load circuit is 100 pF to GND.

⁵ Test load circuit is 100 pF to GND, 10 kΩ to 5.5 V.

TMP05B/TMP06B SPECIFICATIONS

All B Grade specifications apply for -40°C to +150°C; T_A = T_{MIN} to T_{MAX}, V_{DD} = 3.0 V to 5.5 V, unless otherwise noted.

Table 2.

| Parameter | Min | Typ | Max | Unit | Test Conditions/Comments |
|--|-----|------------------|-----------------|---------|--|
| TEMPERATURE SENSOR AND ADC | | | | | |
| Nominal Conversion Rate | | | | | See Table 7 |
| Accuracy @ V _{DD} = 3.3 V (3.0 V – 3.6 V) | | | ±0.5 | °C | T _A = 25°C |
| | | | ±1 | °C | T _A = 0°C to 70°C |
| | | | ±2 | °C | T _A = -40°C to +85°C |
| | | | ±3 | °C | T _A = -40°C to +125°C |
| | | | ±4 ¹ | °C | T _A = -40°C to +150°C |
| Accuracy @ V _{DD} = 5.0 V (4.5 V – 5.5 V) | | | ±0.5 | °C | T _A = 25°C |
| | | | ±1 | °C | T _A = 0°C to 70°C |
| | | | ±2 | °C | T _A = -40°C to +85°C |
| | | | ±3 | °C | T _A = -40°C to +125°C |
| | | | ±4 ¹ | °C | T _A = -40°C to +150°C |
| Temperature Resolution | | 0.025 | | °C/5 μs | Step size for every 5 μs on T _L |
| T _H Pulse Width | | 40 | | ms | T _A = 25°C, nominal conversion rate |
| T _L Pulse Width | | 76 | | ms | T _A = 25°C, nominal conversion rate |
| Quarter Period Conversion Rate | | | | | See Table 7 |
| Accuracy @ V _{DD} = 3.3 V (3.0 V – 3.6 V) | | TBD | | °C | T _A = 25°C |
| | | TBD | | °C | T _A = 0°C to 70°C |
| | | TBD | | °C | T _A = -40°C to +85°C |
| | | TBD | | °C | T _A = -40°C to +125°C |
| | | TBD ¹ | | °C | T _A = -40°C to +150°C |
| Accuracy @ V _{DD} = 5.0 V (4.5 V – 5.5 V) | | TBD | | °C | T _A = 25°C |
| | | TBD | | °C | T _A = 0°C to 70°C |
| | | TBD | | °C | T _A = -40°C to +85°C |
| | | TBD | | °C | T _A = -40°C to +125°C |
| | | TBD ¹ | | °C | T _A = -40°C to +150°C |
| Temperature Resolution | | 0.1 | | °C/5 μs | Step size for every 5 μs on T _L |
| T _H Pulse Width | | 10 | | ms | T _A = 25°C, QP conversion rate |
| T _L Pulse Width | | 19 | | ms | T _A = 25°C, QP conversion rate |
| Double High/Quarter Low Conversion Rate | | | | | See Table 7 |
| Accuracy @ V _{DD} = 3.3 V (3.0 V – 3.6 V) | | TBD | | °C | T _A = 25°C |
| | | TBD | | °C | T _A = 0°C to 70°C |
| | | TBD | | °C | T _A = -40°C to +85°C |
| | | TBD | | °C | T _A = -40°C to +125°C |
| | | TBD ¹ | | °C | T _A = -40°C to +150°C |
| Accuracy @ V _{DD} = 5 V (4.5 V – 5.5 V) | | TBD | | °C | T _A = 25°C |
| | | TBD | | °C | T _A = 0°C to 70°C |
| | | TBD | | °C | T _A = -40°C to +85°C |
| | | TBD | | °C | T _A = -40°C to +125°C |
| | | TBD ¹ | | °C | T _A = -40°C to +150°C |
| Temperature Resolution | | 0.1 | | °C/5 μs | Step size for every 5 μs on T _L |
| T _H Pulse Width | | 80 | | ms | T _A = 25°C, DH/QL conversion rate |
| T _L Pulse Width | | 19 | | ms | T _A = 25°C, DH/QL conversion rate |
| Power Supply Rejection Ratio ³ | | 0.75 | 0.9 | °C/V | T _A = 25°C |

See notes at end of table.

| Parameter | Min | Typ | Max | Unit | Test Conditions/Comments |
|--|-----------------------|-------|-----------------------|------|--|
| SUPPLIES | | | | | |
| Supply Voltage | 3 | | 5.5 | V | |
| Supply Current Normal Mode ² @ 3.3 V | | 230 | 450 | μA | Continuously converting, daisy-chain, and one shot modes at nominal conversion rates |
| Normal Mode ² @ 5.0 V | | 300 | 500 | μA | Continuously converting, daisy-chain, and one shot modes at nominal conversion rates |
| Quiescent ² @ 3.3 V | | 3 | 8 | μA | Device not converting, output is high |
| Quiescent ² @ 5.5 V | | 5 | 10 | μA | Device not converting, output is high |
| One Shot Mode @ 1 SPS | | 21.16 | | μA | Average current @ V _{DD} = 3.3 V, nominal conversion rate |
| One Shot Mode @ 1 SPS | | 28.6 | | μA | Average current @ V _{DD} = 5.0 V, nominal conversion rate |
| Power Dissipation | | 759 | | μW | V _{DD} = 3.3 V, continuously converting at nominal conversion rates |
| Power Dissipation 1 SPS | | 69.83 | | μW | Average power dissipated for V _{DD} = 3.3 V, one shot mode |
| 1 SPS | | 143 | | μW | Average power dissipated for V _{DD} = 5.0 V, one shot mode |
| TMP05 OUTPUT (PUSH-PULL)³ | | | | | |
| Output High Voltage, V _{OH} | V _{DD} - 0.3 | | | V | I _{OH} = 800 μA |
| Output Low Voltage, V _{OL} | | | 0.4 | V | I _{OL} = 800 μA |
| Output High Current, I _{OUT} | | | 2 | mA | |
| Pin Capacitance | | 10 | | pF | |
| High Output Leakage Current, I _{OH} | | 0.1 | 5 | μA | PWM _{OUT} = 5.5 V |
| Rise Time, ⁴ t _{LH} | | 50 | | ns | |
| Fall Time, ⁴ t _{HL} | | 50 | | ns | |
| R _{ON} Resistance (Low Output) | | 55 | | Ω | Supply and temperature dependent |
| TMP06 OUTPUT (OPEN DRAIN)³ | | | | | |
| Output Low Voltage, V _{OL} | | | 0.4 | V | I _{OL} = 1.6 mA |
| Output Low Voltage, V _{OL} | | | 1.2 | V | I _{OL} = 5.0 mA |
| Sink Current, I _{SINK} | | | 3 | mA | |
| Pin Capacitance | | 10 | | pF | |
| High Output Leakage Current, I _{OH} | | 0.1 | 5 | μA | PWM _{OUT} = 5.5 V |
| Device Turn-On Time | | 20 | | ms | |
| Fall Time, ⁵ t _{HL} | | 30 | | ns | |
| DIGITAL INPUTS³ | | | | | |
| Input Current | | | ±5 | μA | V _{IN} = 0 V to V _{DD} |
| Input Low Voltage, V _{IL} | | | 0.3 × V _{DD} | V | |
| Input High Voltage, V _{IH} | 0.7 × V _{DD} | | | V | |
| Pin Capacitance | 3 | | 10 | pF | |

¹ It is not recommended to operate the device at temperatures above 125°C for greater than a total of 5% of the lifetime of the device. Any exposure beyond this limit affects device reliability.

² Normal mode current relates to current during T_L. TMP05/TMP06 are not converting during T_H, so quiescent current relates to current during T_H.

³ Guaranteed by design and characterization, not production tested.

⁴ Test load circuit is 100 pF to GND.

⁵ Test load circuit is 100 pF to GND, 10 kΩ to 5.5 V.

TIMING CHARACTERISTICS

$T_A = T_{MIN}$ to T_{MAX} , $V_{DD} = 3.0\text{ V}$ to 5.5 V , unless otherwise noted.

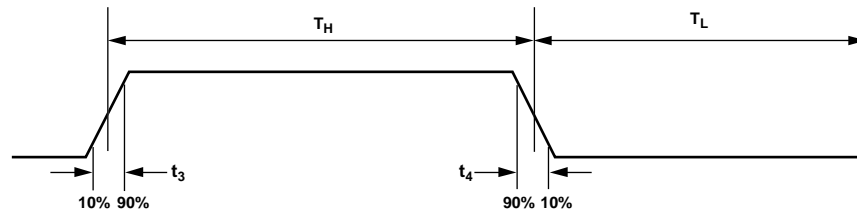
Guaranteed by design and characterization, not production tested.

Table 3.

| Parameter | Limit | Unit | Comments |
|-----------|-------|-------------------|--|
| T_H | 40 | ms typ | PWM high time @ 25°C under nominal conversion rate |
| T_L | 76 | ms typ | PWM low time @ 25°C under nominal conversion rate |
| t_3^1 | 50 | ns typ | TMP05 output rise time |
| t_4^1 | 50 | ns typ | TMP05 output fall time |
| t_4^2 | 30 | ns typ | TMP06 output fall time |
| t_5 | 25 | μs max | Daisy-chain START pulse width |

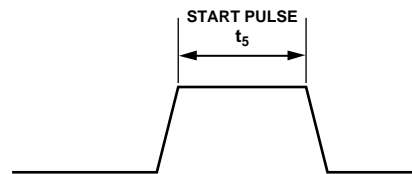
¹ Test load circuit is 100 pF to GND.

² Test load circuit is 100 pF to GND, 10 k Ω to 5.5 V.



03340-C-002

Figure 2. PWM Output Nominal Timing Diagram (25°C)



03340-C-003

Figure 3. Daisy-Chain Start Timing

ABSOLUTE MAXIMUM RATINGS

Table 4.

| Parameter | Rating |
|---|--|
| V _{DD} to GND | -0.3 V to +7 V |
| Digital Input Voltage to GND | -0.3 V to V _{DD} + 0.3 V |
| Maximum Output Current (OUT) | ±10 mA |
| Operating Temperature Range ¹ | -40°C to +150°C |
| Storage Temperature Range | -65°C to +160°C |
| Maximum Junction Temperature, T _{JMAX} | +150°C |
| 5-Lead SOT-23 | |
| Power Dissipation ² | $W_{MAX} = (T_{JMAX} - T_A^3)/\theta_{JA}$ |
| Thermal Impedance ⁴ | |
| θ _{JA} , Junction-to-Ambient (Still Air) | 240°C/W |
| 5-Lead SC-70 | |
| Power Dissipation ² | $W_{MAX} = (T_{JMAX} - T_A^3)/\theta_{JA}$ |
| Thermal Impedance ⁴ | |
| θ _{JA} , Junction-to-Ambient | 207.5°C/W |
| θ _{JC} , Junction-to-Case | 172.3°C/W |
| IR Reflow Soldering | |
| Peak Temperature | +220°C (-0/+5°C) |
| Time at Peak Temperature | 10 s to 20 s |
| Ramp-Up Rate | 2°C/s to 3°C/s |
| Ramp-Down Rate | -6°C/s |

Stresses above those listed under Absolute Maximum Ratings may cause permanent damage to the device. This is a stress rating only; functional operation of the device at these or any other conditions above those indicated in the operational section of this specification is not implied. Exposure to absolute maximum rating conditions for extended periods may affect device reliability.

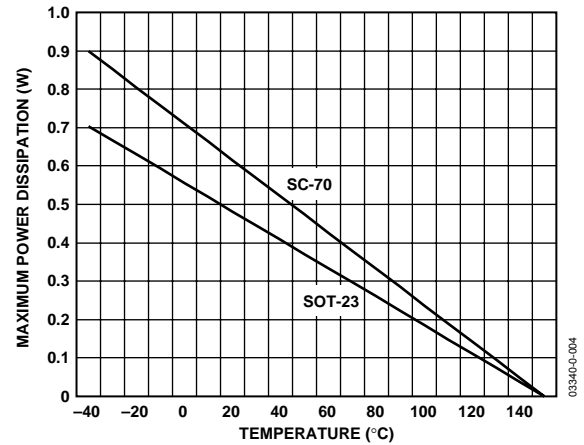


Figure 4. Plot of Maximum Power Dissipation vs. Temperature

¹ It is not recommended to operate the device at temperatures above 125°C for greater than a total of 5% of the lifetime of the device. Any exposure beyond this limit affects device reliability.

² SOT-23 values relate to the package being used on a 2-layer PCB and SC-70 values relate to the package being used on a 4-layer PCB. See Figure 4 for a plot of maximum power dissipation versus ambient temperature (T_A).

³ T_A = ambient temperature.

⁴ Junction-to-case resistance is applicable to components featuring a preferential flow direction, for example, components mounted on a heat sink. Junction-to-ambient resistance is more useful for air-cooled PCB mounted components.

ESD CAUTION

ESD (electrostatic discharge) sensitive device. Electrostatic charges as high as 4000 V readily accumulate on the human body and test equipment and can discharge without detection. Although this product features proprietary ESD protection circuitry, permanent damage may occur on devices subjected to high energy electrostatic discharges. Therefore, proper ESD precautions are recommended to avoid performance degradation or loss of functionality.



PIN CONFIGURATION AND FUNCTION DESCRIPTIONS

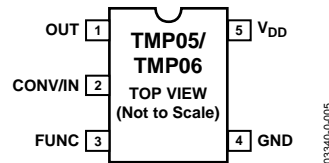
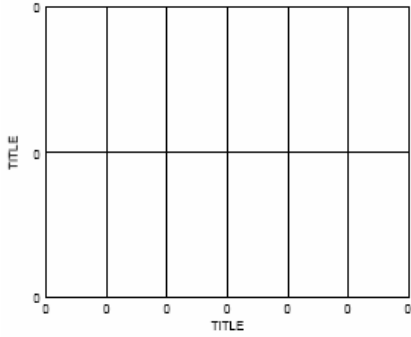


Figure 5. SC-70/SOT-23 Pin Configuration

Table 5. Pin Function Descriptions

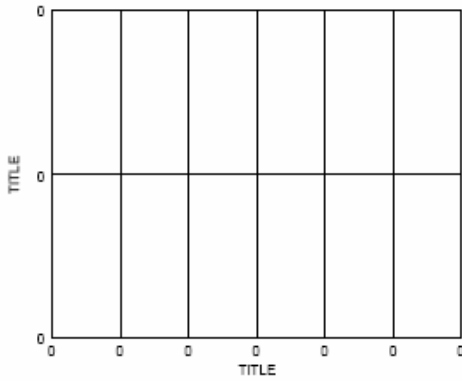
| Pin No. | Mnemonic | Description |
|---------|-----------------|---|
| 1 | OUT | Digital Output. Pulse-width modulated (PWM) output gives a square wave whose ratio of high to low period is proportional to temperature. |
| 2 | CONV/IN | Digital Input. In continuously converting and one shot operating modes, a high, low, or float input determines the temperature measurement rate. In daisy-chain operating mode, it is the input pin for the PWM signal from the previous part on the daisy chain. |
| 3 | FUNC | Digital Input. A high, low, or float input on this pin gives three different modes of operation. |
| 4 | GND | Analog and Digital Ground. |
| 5 | V _{DD} | Positive Supply Voltage, 3.0 V to 5.5 V. |

TYPICAL PERFORMANCE CHARACTERISTICS



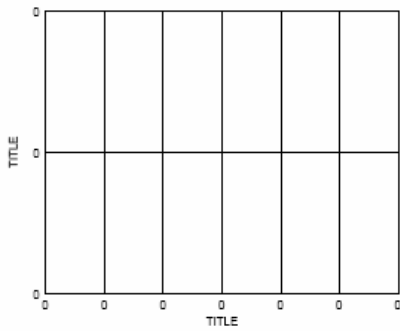
TPC 1. PWM O/P Frequency vs. Temperature

Figure 6. PWM Output Frequency vs. Temperature



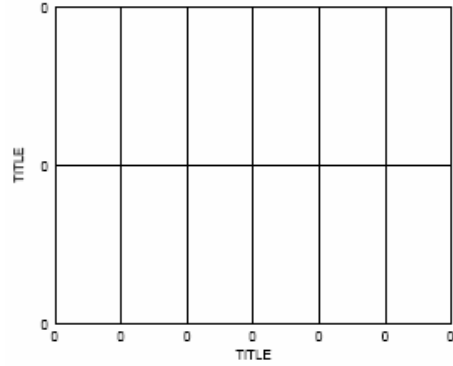
TPC 2. PWM O/P Frequency vs. Supply Voltage

Figure 7. PWM Output Frequency vs. Supply Voltage



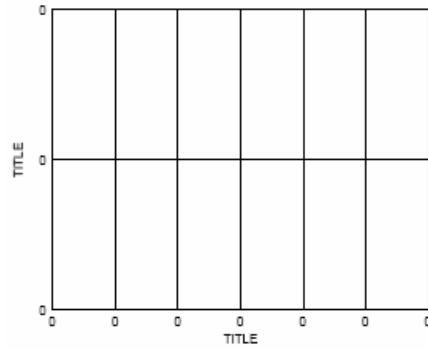
TPC 3. T₁ and T₂ Times vs. Temperature

Figure 8. T_H and T_L Times vs. Temperature



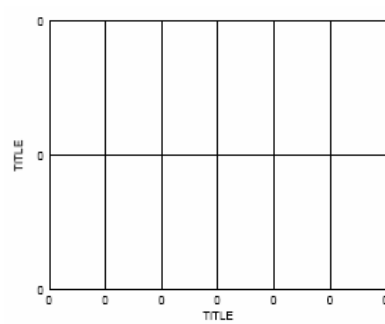
TPC 4. TMP05 Output Rise Time at +25°C

Figure 9. TMP05 Output Rise Time at 25°C



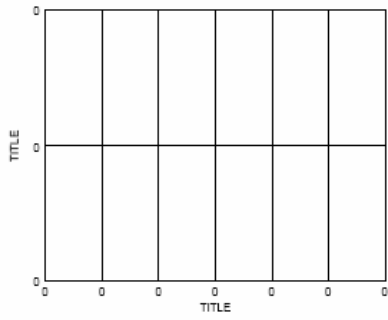
TPC 5. TMP05 Output Fall Time at +25°C

Figure 10. TMP05 Output Fall Time at 25°C



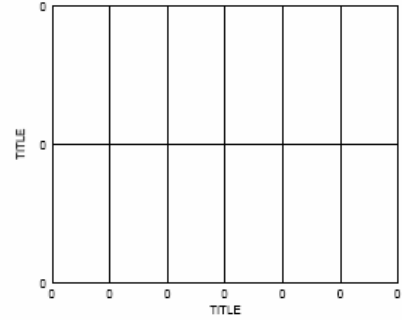
TPC 6. TMP06 Output Fall Time at +25°C

Figure 11. TMP06 Output Fall Time at 25°C



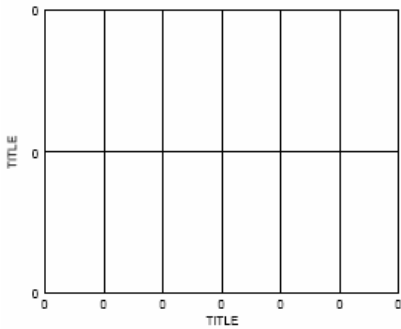
TPC 7. TMP05 Output Rise and Fall Times vs Capacitive Load

Figure 12. TMP05 Output Rise and Fall Times vs. Capacitive Load



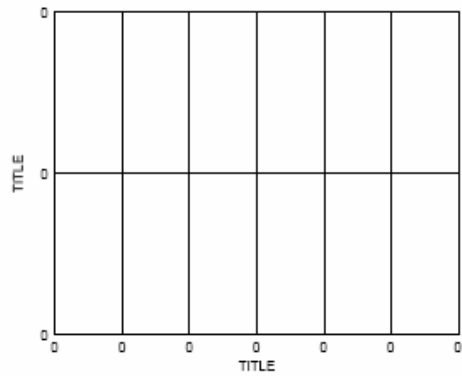
TPC 10. TMP06 Open Collector Sink Current vs Temperature.

Figure 15. TMP06 Open Collector Sink Current vs. Temperature



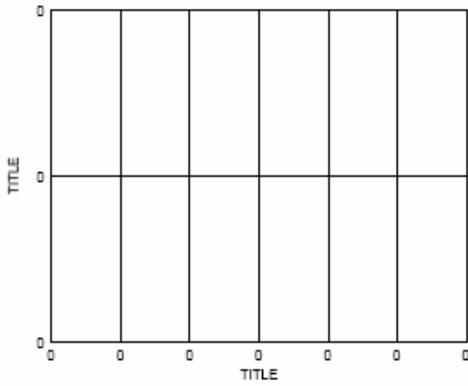
TPC 8. Output Low Voltage vs Temperature

Figure 13. Output Low Voltage vs. Temperature



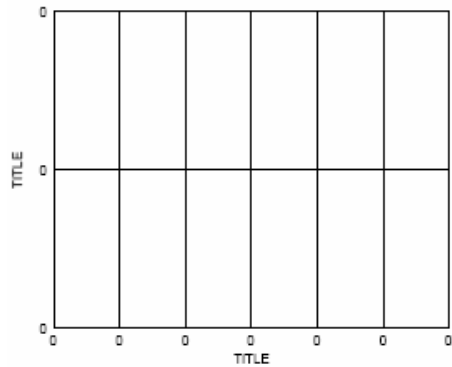
TPC 11. TMP06 Open Collector Output Voltage vs Temperature

Figure 16. TMP06 Open Collector Output Voltage vs. Temperature



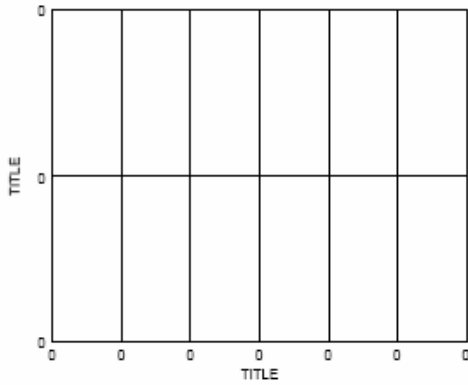
TPC 9. Output High Voltage vs Temperature

Figure 14. Output High Voltage vs. Temperature



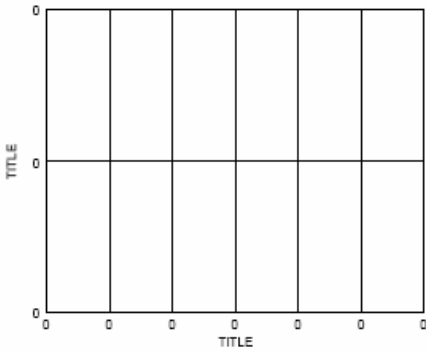
TPC 12. Output Accuracy vs. Temperature

Figure 17. Output Accuracy vs. Temperature



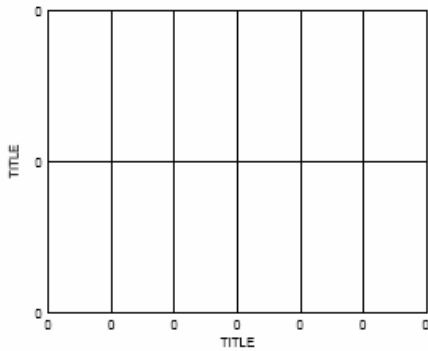
TPC 13. Supply Current vs. Temperature

Figure 18. Supply Current vs. Temperature



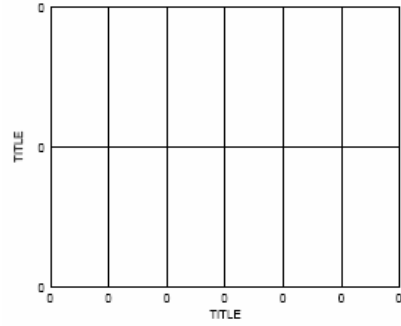
TPC 14. Supply Current vs. Supply Voltage

Figure 19. Supply Current vs. Supply Voltage



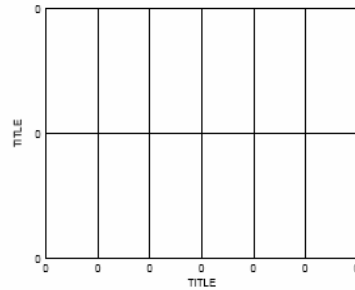
TPC 15. Power Supply Rejection vs. Temperature

Figure 20. Power Supply Rejection vs. Temperature



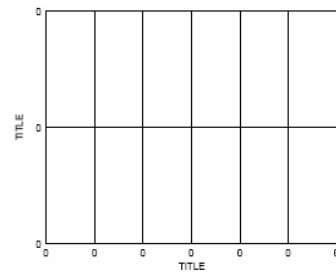
TPC 16. Power Supply Rejection vs. Frequency

Figure 21. Power Supply Rejection vs. Frequency



TPC 17. Response to Thermal Shock

Figure 22. Response to Thermal Shock



TPC 18. TMP05 Temperature Error vs Load Current

Figure 23. TMP05 Temperature Error vs. Load Current

THEORY OF OPERATION

CIRCUIT INFORMATION

The TMP05/TMP06 are monolithic temperature sensors that generate a modulated serial digital output that varies in direct proportion with the temperature of the device. An on-board sensor generates a voltage precisely proportional to absolute temperature, which is compared to an internal voltage reference and input to a precision digital modulator. The ratiometric encoding format of the serial digital output is independent of the clock drift errors common to most serial modulation techniques such as voltage-to-frequency converters. Overall accuracy for the A Grade is $\pm 2^{\circ}\text{C}$ from 0°C to 70°C , with excellent transducer linearity. B Grade accuracy is $\pm 1^{\circ}\text{C}$ from 0°C to 70°C . The digital output of the TMP05 is CMOS/TTL compatible, and is easily interfaced to the serial inputs of most popular microprocessors. The open-drain output of the TMP06 is capable of sinking 3 mA.

The on-board temperature sensor has excellent accuracy and linearity over the entire rated temperature range without correction or calibration by the user.

The sensor output is digitized by a first-order Σ - Δ modulator, also known as the charge balance type analog-to-digital converter. This type of converter utilizes time-domain oversampling and a high accuracy comparator to deliver 12 bits of effective accuracy in an extremely compact circuit.

CONVERTER DETAILS

The Σ - Δ modulator consists of an input sampler, a summing network, an integrator, a comparator, and a 1-bit DAC. Similar to the voltage-to-frequency converter, this architecture creates, in effect, a negative feedback loop whose intent is to minimize the integrator output by changing the duty cycle of the comparator output in response to input voltage changes. The comparator samples the output of the integrator at a much higher rate than the input sampling frequency, which is called oversampling. Oversampling spreads the quantization noise over a much wider band than that of the input signal, improving overall noise performance and increasing accuracy.

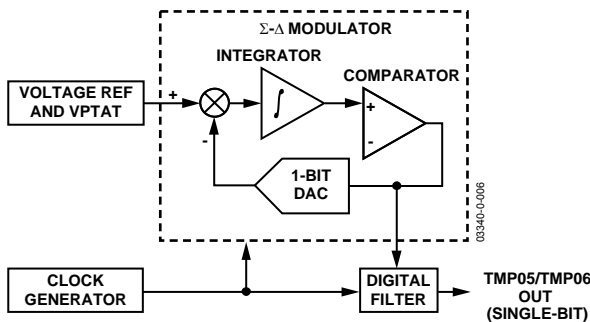


Figure 24. First-Order Σ - Δ Modulator

The modulated output of the comparator is encoded using a circuit technique that results in a serial digital signal with a mark-space ratio format. This format is easily decoded by any microprocessor into either $^{\circ}\text{C}$ or $^{\circ}\text{F}$ values, and is readily transmitted or modulated over a single wire. More importantly, this encoding method neatly avoids major error sources common to other modulation techniques, because it is clock-independent.

FUNCTIONAL DESCRIPTION

The output of the TMP05/TMP06 is a square wave with a typical period of 116 ms at 25°C (CONV/IN pin is left floating). The high period, T_H , is constant, while the low period, T_L , varies with measured temperature. The output format for the nominal conversion rate is readily decoded by the user as follows:

$$\text{Temperature } (^{\circ}\text{C}) = 421 - (751 \times (T_H/T_L)) \quad (1)$$

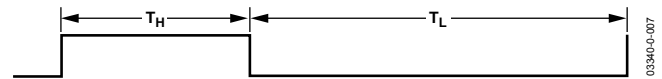


Figure 25. TMP05/TMP06 Output Format

The time periods T_H (high period) and T_L (low period) are values easily read by a microprocessor timer/counter port, with the above calculations performed in software. Because both periods are obtained consecutively using the same clock, performing the division indicated in the previous formula results in a ratiometric value that is independent of the exact frequency or drift of either the originating clock of the TMP05/TMP06 or the user's counting clock.

OPERATING MODES

The user can program the TMP05/TMP06 to operate in three different modes by configuring the FUNC pin on power-up as either high, low, or floating.

Table 6. Operating Modes

| FUNC Pin | Operating Mode |
|----------|-------------------------|
| Low | One shot |
| Float | Continuously converting |
| High | Daisy-chain |

Continuously Converting Mode

In continuously converting mode, the TMP05/TMP06 continuously output a square wave representing temperature. The frequency at which this square wave is output is determined by the state of the CONV/IN pin on power-up. Any change to the state of the CONV/IN pin after power-up is not reflected in the parts until the TMP05/TMP06 are powered down and back up.

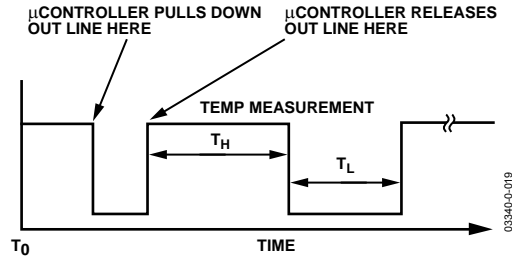


Figure 26. TMP05/TMP06 One Shot OUT Pin Signal

One Shot Mode

In one shot mode, the TMP05/TMP06 output one square wave representing temperature when requested by the microcontroller. The microcontroller pulls the OUT pin low and then releases it to indicate to the TMP05/TMP06 that an output is required. The temperature measurement is output when the OUT line is released by the microcontroller (see Figure 26).

In the TMP05 one shot mode only, an internal resistor is switched in series with the pull-up MOSFET. The TMP05 OUT pin has a push-pull output configuration (see Figure 27), and, therefore, needs a series resistor to limit the current drawn on this pin when the user pulls it low to start a temperature conversion. This series resistance prevents any short circuit from V_{DD} to GND, and, therefore, protects the TMP05 from short-circuit damage.

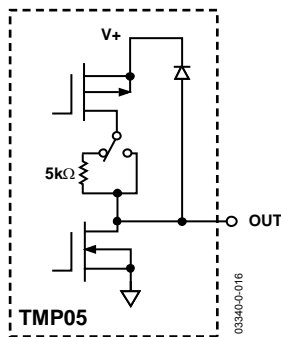


Figure 27. TMP05 One Shot Mode OUT Pin Configuration

The advantages of the one shot mode include lower average power consumption, and the microcontroller knows that the first low-to-high transition occurs after the microcontroller releases the OUT pin.

Conversion Rate

In continuously converting and one shot modes, the state of the CONV/IN pin on power-up determines the rate at which the TMP05/TMP06 measure temperature. The available conversion rates are shown in Table 7.

Table 7. Conversion Rates

| CONV/IN PIN | Conversion Rate | T _H /T _L (25°C) |
|-------------|--|---------------------------------------|
| Low | Quarter period (T _H ÷ 4, T _L ÷ 4) | 10/19 (ms) |
| Float | Nominal | 40/76 (ms) |
| High | Double high (T _H × 2) Quarter low (T _L ÷ 4) | 80/19 (ms) |

The TMP05 (push-pull output) advantage when using the high state conversion rate (double high/quarter low) is lower power consumption. However, the trade-off is loss of resolution on the low time. Depending on the state of the CONV/IN pin, two different temperature equations must be used.

The temperature equation for the low and float states conversion rates is

$$\text{Temperature (°C)} = 421 - (751 \times (T_H/T_L)) \quad (2)$$

Table 8. Conversion Times Using Equation 2

| Temperature (°C) | T _L (ms) | Nominal Cycle Time (ms) |
|------------------|---------------------|-------------------------|
| -40 | 65.2 | 105 |
| -30 | 66.6 | 107 |
| -20 | 68.1 | 108 |
| -10 | 69.7 | 110 |
| 0 | 71.4 | 111 |
| 10 | 73.1 | 113 |
| 20 | 74.9 | 115 |
| 25 | 75.9 | 116 |
| 30 | 76.8 | 117 |
| 40 | 78.8 | 119 |
| 50 | 81 | 121 |
| 60 | 83.2 | 123 |
| 70 | 85.6 | 126 |
| 80 | 88.1 | 128 |
| 90 | 90.8 | 131 |
| 100 | 93.6 | 134 |
| 110 | 96.6 | 137 |
| 120 | 99.8 | 140 |
| 130 | 103.2 | 143 |
| 140 | 106.9 | 147 |
| 150 | 110.8 | 151 |

The temperature equation for the high state conversion rate is

$$\text{Temperature } (^{\circ}\text{C}) = 421 - (93.875 \times (T_H/T_L)) \quad (3)$$

Table 9. Conversion Times Using Equation 3

| Temperature ($^{\circ}\text{C}$) | T_L (ms) | High Cycle Time (ms) |
|------------------------------------|------------|----------------------|
| -40 | 16.3 | 96.2 |
| -30 | 16.7 | 96.6 |
| -20 | 17 | 97.03 |
| -10 | 17.4 | 97.42 |
| 0 | 17.8 | 97.84 |
| 10 | 18.3 | 98.27 |
| 20 | 18.7 | 98.73 |
| 25 | 19 | 98.96 |
| 30 | 19.2 | 99.21 |
| 40 | 19.7 | 99.71 |
| 50 | 20.2 | 100.24 |
| 60 | 20.8 | 100.8 |
| 70 | 21.4 | 101.4 |
| 80 | 22 | 102.02 |
| 90 | 22.7 | 102.69 |
| 100 | 23.4 | 103.4 |
| 110 | 24.1 | 104.15 |
| 120 | 25 | 104.95 |
| 130 | 25.8 | 105.81 |
| 140 | 26.7 | 106.73 |
| 150 | 27.7 | 107.71 |

Daisy-Chain Mode

Setting the FUNC pin to a high state allows multiple TMP05/TMP06s to be connected together and, therefore, allows one input line of the microcontroller to be the sole receiver of all temperature measurements. In this mode, the CONV/IN pin operates as the input of the daisy chain, and conversions take place at the nominal conversion rate, that is, $T_H/T_L = 40 \text{ ms}/76 \text{ ms}$ at 25°C .

Therefore, the temperature equation for the daisy-chain mode of operation is

$$\text{Temperature } (^{\circ}\text{C}) = 421 - (751 \times (T_H/T_L)) \quad (4)$$

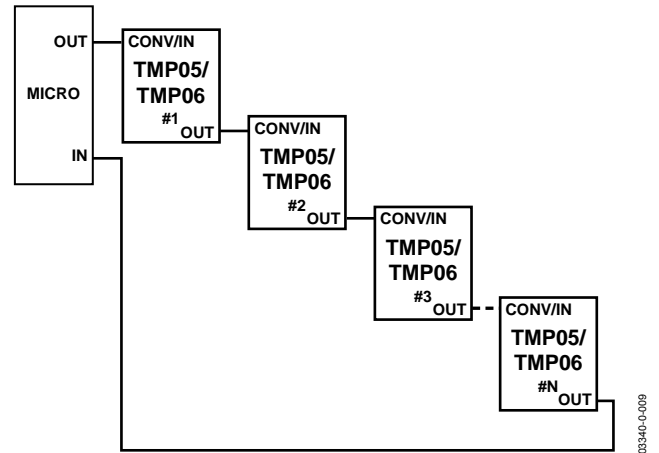


Figure 28. Daisy-Chain Structure

A second microcontroller line is needed to generate the conversion START pulse on the CONV/IN pin. The pulse width of the START pulse should be less than $25 \mu\text{s}$. The START pulse on the CONV/IN pin lets the first TMP05/TMP06 part know that it should start a conversion and output its own temperature now. Once the part has output its own temperature, it then outputs a START pulse for the next part on the daisy-chain link. The pulse width of the START pulse from each TMP05/TMP06 part is typically $17 \mu\text{s}$.

Figure 29 shows the START pulse on the CONV/IN pin of the first device on the daisy chain and Figure 30 shows the PWM output by this first part.

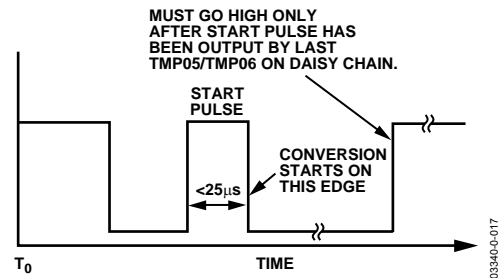


Figure 29. START Pulse at CONV/IN Pin of First TMP05/TMP06 Device on Daisy Chain

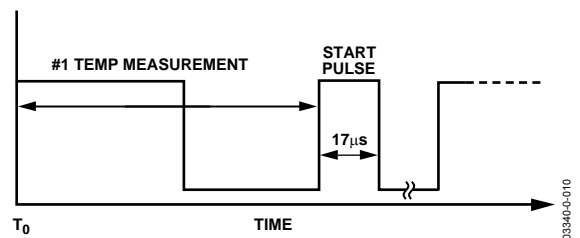


Figure 30. Daisy-Chain Temperature Measurement and START Pulse Output from First TMP05/TMP06

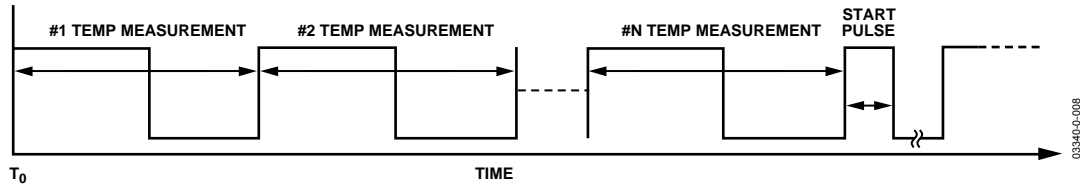


Figure 31. Daisy-Chain Signal at Input to the Microcontroller

Before the START pulse reaches a TMP05/TMP06 part in the daisy chain, the device acts as a buffer for the previous temperature measurement signals. Each part monitors the PWM signal for the START pulse from the previous part. Once the part detects the START pulse, it initiates a conversion and inserts the result at the end of the daisy-chain PWM signal. It then inserts a START pulse for the next part in the link. The final signal input to the microcontroller should look like Figure 31. The input signal on Pin 2 (IN) of the first daisy-chain device must remain low until the last device has output its START pulse.

If the input on Pin 2 (IN) goes high and remains high, the TMP05/TMP06 part powers down between 0.3 s and 1.2 s later. The part, therefore, requires another START pulse to generate another temperature measurement. Note that, to reduce power dissipation through the part, it is recommended to keep Pin 2 (IN) at a high state when the part is not converting. If the IN pin is at 0 V, then the OUT pin is at 0 V (because it is acting as a buffer when not converting), and drawing current through either the pull-up MOSFET (TMP05) or the pull-up resistor (TMP06).

TMP05 OUTPUT

The TMP05 has a push-pull CMOS output (Figure 32) and provides rail-to-rail output drive for logic interfaces. The rise and fall times of the TMP05 output are closely matched, so that errors caused by capacitive loading are minimized. If load capacitance is large (for example, when driving a long cable), an external buffer might improve accuracy.

An internal resistor is connected in series with the pull-up MOSFET when the TMP05 is operating in one shot mode.

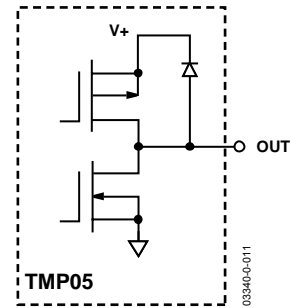


Figure 32. TMP05 Digital Output Structure

TMP06 OUTPUT

The TMP06 has an open-drain output. Because the output source current is set by the pull-up resistor, output capacitance should be minimized in TMP06 applications. Otherwise, unequal rise and fall times skew the pulse width and introduce measurement errors.

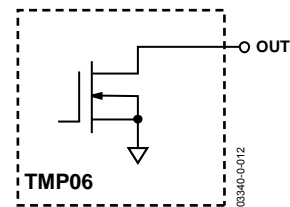


Figure 33. TMP06 Digital Output Structure

APPLICATION HINTS

THERMAL RESPONSE TIME

The time required for a temperature sensor to settle to a specified accuracy is a function of the thermal mass of the sensor and the thermal conductivity between the sensor and the object being sensed. Thermal mass is often considered equivalent to capacitance. Thermal conductivity is commonly specified using the symbol Q , and can be thought of as thermal resistance. It is commonly specified in units of degrees per watt of power transferred across the thermal joint. Thus, the time required for the TMP05/TMP06 to settle to the desired accuracy is dependent on the package selected, the thermal contact established in that particular application, and the equivalent power of the heat source. In most applications, the settling time is probably best determined empirically.

SELF-HEATING EFFECTS

The temperature measurement accuracy of the TMP05/TMP06 might be degraded in some applications due to self-heating. Errors introduced are from the quiescent dissipation and power dissipated when converting, that is, during T_L . The magnitude of these temperature errors is dependent on the thermal conductivity of the TMP05/TMP06 package, the mounting technique, and the effects of airflow. Static dissipation in the TMP05/TMP06 is typically 10 W operating at 3.3 V with no load. In the 5-lead SC-70 package mounted in free air, this accounts for a temperature increase due to self-heating of

$$\Delta T = P_{DISS} \times \theta_{JA} = 10 \mu\text{W} \times 211.4^\circ\text{C}/\text{W} = 0.0021^\circ\text{C} \quad (5)$$

In addition, power is dissipated by the digital output, which is capable of sinking 800 μA continuously (TMP05). Under an 800 μA load, the output may dissipate

$$P_{DISS} = (0.4 \text{ V})(0.8 \text{ mA})((T_L)/T_H + T_L) \quad (6)$$

For example, with $T_L = 80 \text{ ms}$ and $T_H = 40 \text{ ms}$, the power dissipation due to the digital output is approximately 0.21 mW. In a free-standing SC-70 package, this accounts for a temperature increase due to self-heating of

$$\Delta T = P_{DISS} \times \theta_{JA} = 0.21 \text{ mW} \times 211.4^\circ\text{C}/\text{W} = 0.044^\circ\text{C} \quad (7)$$

This temperature increase adds directly to that from the quiescent dissipation and affects the accuracy of the TMP05/TMP06 relative to the true ambient temperature.

It is recommended that current dissipated through the device be kept to a minimum, because it has a proportional effect on the temperature error.

SUPPLY DECOUPLING

The TMP05/TMP06 should be decoupled with a 0.1 μF ceramic capacitor between V_{DD} and GND. This is particularly important, if the TMP05/TMP06 are mounted remotely from the power supply. Precision analog products such as the TMP05/TMP06 require a well filtered power source. Because the TMP05/TMP06 operate from a single supply, it might seem convenient to simply tap into the digital logic power supply. Unfortunately, the logic supply is often a switch-mode design, which generates noise in the 20 kHz to 1 MHz range. In addition, fast logic gates can generate glitches hundreds of mV in amplitude due to wiring resistance and inductance.

If possible, the TMP05/TMP06 should be powered directly from the system power supply. This arrangement, shown in Figure 34, isolates the analog section from the logic switching transients. Even if a separate power supply trace is not available, however, generous supply bypassing reduces supply-line-induced errors. Local supply bypassing consisting of a 0.1 μF ceramic capacitor is recommended.

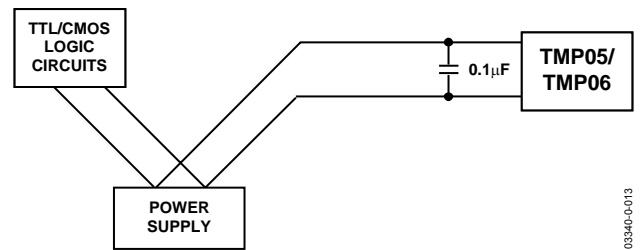


Figure 34. Use Separate Traces to Reduce Power Supply Noise

TEMPERATURE MONITORING

The TMP05/TMP06 are ideal for monitoring the thermal environment within electronic equipment. For example, the surface-mounted package accurately reflects the exact thermal conditions that affect nearby integrated circuits.

The TMP05/TMP06 measure and convert the temperature at the surface of their own semiconductor chip. When the TMP05/TMP06 are used to measure the temperature of a nearby heat source, the thermal impedance between the heat source and the TMP05/TMP06 must be considered. Often, a thermocouple or other temperature sensor is used to measure the temperature of the source, while the TMP05/TMP06 temperature is monitored by measuring T_H and T_L . Once the thermal impedance is determined, the temperature of the heat source can be inferred from the TMP05/TMP06 output.

One example of using the TMP05/TMP06's unique properties is in monitoring a high power dissipation microprocessor. The TMP05/TMP06 part, in a surface-mounted package, is mounted directly beneath the microprocessor's pin grid array (PGA) package. In a typical application, the TMP05/TMP06's output

would be connected to an ASIC, where the pulse width would be measured. The TMP05/TMP06 pulse output provides a significant advantage in this application, because it produces a linear temperature output while needing only one I/O pin and without requiring an A/D converter.

DAISY-CHAIN APPLICATION

This section provides an example of how to connect two TMP05s in daisy-chain mode to a standard 8052 microcontroller core. The ADuC812 is the microcontroller used in the following example and has the 8052 as its core processing engine. Figure 35 shows how to interface to the 8052 core device. The TMP05 Program Code Example shows how to communicate from the ADuC812 to the two daisy-chained TMP05s. This code can also be used with the ADuC831 or any microprocessor running on an 8052 core.

Figure 35 is a diagram of the input waveform into the ADuC812 from the TMP05 daisy chain, and it shows how the code's variables are assigned. It should be referenced when reading the TMP05 Program Code Example. Application notes are available on the Analog Devices Web site showing the TMP05 working with other types of microcontrollers.

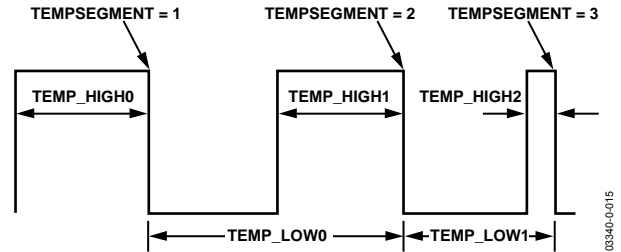


Figure 35. Reference Diagram for Software Variables in the TMP05 Program Code Example

Figure 36 shows how the three devices are hardwired together.

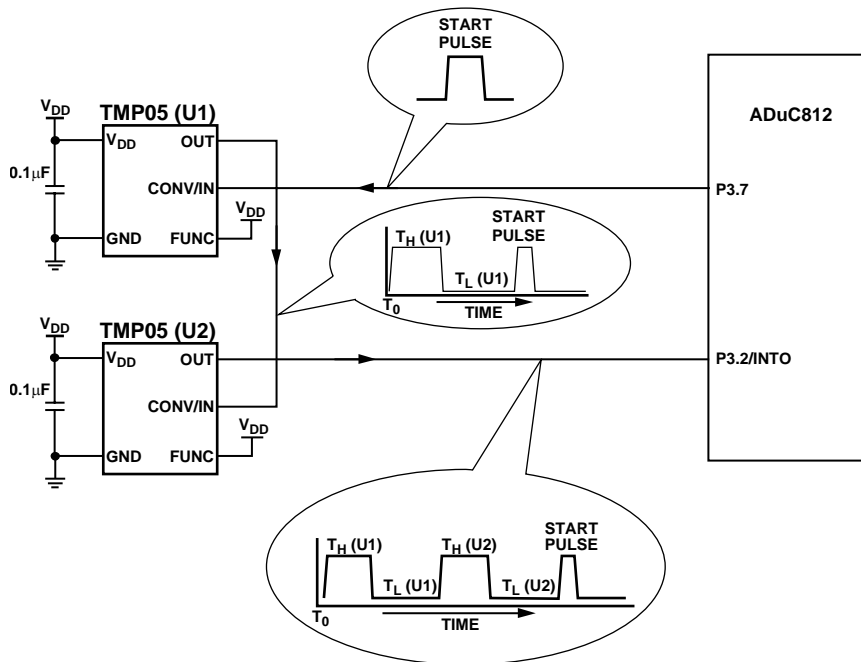


Figure 36. Typical Daisy-Chain Application Circuit

TMP05 Program Code Example

```

//=====
// Description : This program reads the temperature from 2 daisy-chained TMP05 parts.
//
// This code runs on any standard 8052 part running at 11.0592MHz.
// If an alternative core frequency is used, the only change required is an
// adjustment of the baud rate timings.
//
// P3.2 = Daisy-chain output connected to INT0.
// P3.7 = Conversion control.
// Timer0 is used in gate mode to measure the high time.
// Timer1 is triggered on a high-to-low transition of INT0 and is used to measure
// the low time.
//=====
#include <stdio.h>
#include <ADuC812.h> //ADuC812 SFR definitions
void delay(int);
sbit Daisy_Start_Pulse = 0xB7; //Daisy_Start_Pulse = P3.7
sbit P3_4 = 0xB4;
long temp_high0,temp_low0,temp_high1,temp_low1,temp_high2,th,tl; //Global variables to allow
//access during ISR.
//See Figure 35.
int timer0_count=0,timer1_count=0,tempsegment=0;

void int0 () interrupt 0 //INT0 Interrupt Service Routine
{
if (TR1 == 1)
{
th = TH1;
tl = TL1;
th = TH1; //To avoid misreading timer
TL1 = 0;
TH1 = 0;
}
TR1=1; //Start timer1 running, if not running
Already

if (tempsegment == 1)
{

```

```
temp_high0 = (TH0*0x100+TL0)+(timer0_count*65536); //Convert to integer
TH0=0x00; //Reset count
TL0=0x00;
timer0_count=0;
}
if (tempsegment == 2)
{
temp_low0 = (th*0x100+t1)+(timer1_count*65536); //Convert to integer
temp_high1 = (TH0*0x100+TL0)+(timer0_count*65536); //Convert to integer
TH0=0x00; //Reset count
TL0=0x00;
timer0_count=0;
timer1_count=0;
}
if (tempsegment == 3)
{
temp_low1 = (th*0x100+t1)+(timer1_count*65536); //Convert to integer
temp_high2 = (TH0*0x100+TL0)+(timer0_count*65536);
TH0=0x00; //Reset count
TL0=0x00;
timer0_count=0;
timer1_count=0;
}

tempsegment++;
}

void timer0 () interrupt 1
{
timer0_count++; //Keep a record of timer0 overflows
}
void timer1 () interrupt 3
{
timer1_count++; //Keep a record of timer1 overflows
}
void main(void)
{
double temp1=0,temp2=0;
double T1,T2,T3,T4,T5;
```

```

// Initialization
TMOD = 0x19; // Timer1 in 16-bit counter mode
// Timer0 in 16-bit counter mode

with gate on INT0
ET0 = 1; // Enable timer0 interrupts
ET1 = 1; // Enable timer1 interrupts
tempsegment = 1; // Initialize segment

Daisy_Start_Pulse = 0; // Pull P3.7 low

// Start Pulse
Daisy_Start_Pulse = 1;
Daisy_Start_Pulse = 0; //Toggle P3.7 to give start pulse
// Set T0 to count the high period
TR0 = 1; // Start timer0 running
IT0 = 1; // Interrupt0 edge triggered

EX0 = 1; // Enable interrupt
EA = 1; // Enable global interrupts
for(;;)
{
if (tempsegment == 4)
break;
}

//CONFIGURE UART
SCON = 0x52 ; // 8-bit, no parity, 1 stop bit
TMOD = 0x20 ; // Configure timer1..
TH1 = 0xFD ; // ..for 9600baud..
TR1 = 1; // ..(assuming 11.0592MHz crystal)

//Convert variables to floats for calculation
T1= temp_high0;
T2= temp_low0;
T3= temp_high1;
T4= temp_low1;
T5= temp_high2;

```

```
temp1=421-(751*(T1/(T2-T3)));  
temp2=421-(751*(T3/(T4-T5)));  
printf("Temp1 = %f\nTemp2 = %f\n",temp1,temp2);    //Sends temperature result out UART  
  
while (1);    // END of program  
  
}  
  
// Delay routine  
void delay(int length)  
{  
while (length >=0)  
length--;  
}
```

OUTLINE DIMENSIONS

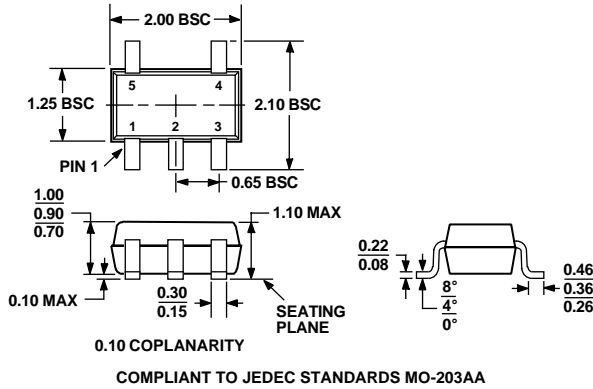


Figure 37. 5-Lead Thin Shrink Small Outline Transistor Package [SC-70] (KS-5)
Dimensions shown in millimeters

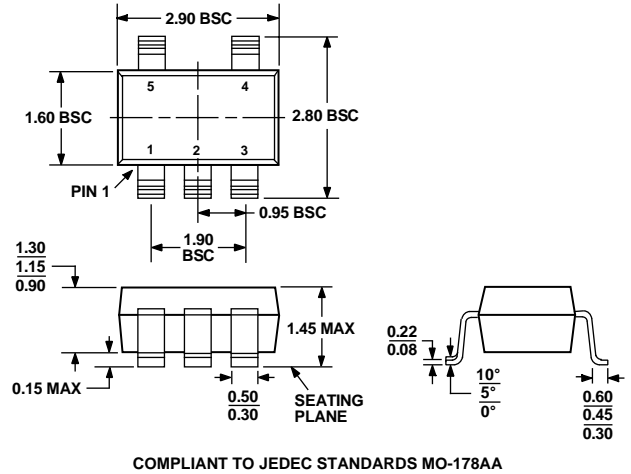


Figure 38. 5-Lead Small Outline Transistor Package [SOT-23] (RJ-5)
Dimensions shown in millimeters

ORDERING GUIDE

| Model | Temperature Range ¹ | Temperature Accuracy ² | Package Description | Branding Information | Package Option | Minimum Quantities/Reel |
|-------------------|--------------------------------|-----------------------------------|---------------------|----------------------|----------------|-------------------------|
| TMP05AKS-500REEL7 | -40°C to +150°C | ±2°C | 5-Lead SC-70 | T8A | KS-5 | 500 |
| TMP05AKS-REEL | -40°C to +150°C | ±2°C | 5-Lead SC-70 | T8A | KS-5 | 10000 |
| TMP05AKS-REEL7 | -40°C to +150°C | ±2°C | 5-Lead SC-70 | T8A | KS-5 | 3000 |
| TMP05ART-500REEL7 | -40°C to +150°C | ±2°C | 5-Lead SOT-23 | T8A | RJ-5 | 500 |
| TMP05ART-REEL | -40°C to +150°C | ±2°C | 5-Lead SOT-23 | T8A | RJ-5 | 10000 |
| TMP05ART-REEL7 | -40°C to +150°C | ±2°C | 5-Lead SOT-23 | T8A | RJ-5 | 3000 |
| TMP05BKS-500REEL7 | -40°C to +150°C | ±1°C | 5-Lead SC-70 | T8B | KS-5 | 500 |
| TMP05BKS-REEL | -40°C to +150°C | ±1°C | 5-Lead SC-70 | T8B | KS-5 | 10000 |
| TMP05BKS-REEL7 | -40°C to +150°C | ±1°C | 5-Lead SC-70 | T8B | KS-5 | 3000 |
| TMP05BRT-500REEL7 | -40°C to +150°C | ±1°C | 5-Lead SOT-23 | T8B | RJ-5 | 500 |
| TMP05BRT-REEL | -40°C to +150°C | ±1°C | 5-Lead SOT-23 | T8B | RJ-5 | 10000 |
| TMP05BRT-REEL7 | -40°C to +150°C | ±1°C | 5-Lead SOT-23 | T8B | RJ-5 | 3000 |
| TMP06AKS-500REEL7 | -40°C to +150°C | ±2°C | 5-Lead SC-70 | T9A | KS-5 | 500 |
| TMP06AKS-REEL | -40°C to +150°C | ±2°C | 5-Lead SC-70 | T9A | KS-5 | 10000 |
| TMP06AKS-REEL7 | -40°C to +150°C | ±2°C | 5-Lead SC-70 | T9A | KS-5 | 3000 |
| TMP06ART-500REEL7 | -40°C to +150°C | ±2°C | 5-Lead SOT-23 | T9A | RJ-5 | 500 |
| TMP06ART-REEL | -40°C to +150°C | ±2°C | 5-Lead SOT-23 | T9A | RJ-5 | 10000 |
| TMP06ART-REEL7 | -40°C to +150°C | ±2°C | 5-Lead SOT-23 | T9A | RJ-5 | 3000 |
| TMP06BKS-500REEL7 | -40°C to +150°C | ±1°C | 5-Lead SC-70 | T9B | KS-5 | 500 |
| TMP06BKS-REEL | -40°C to +150°C | ±1°C | 5-Lead SC-70 | T9B | KS-5 | 10000 |
| TMP06BKS-REEL7 | -40°C to +150°C | ±1°C | 5-Lead SC-70 | T9B | KS-5 | 3000 |
| TMP06BRT-500REEL7 | -40°C to +150°C | ±1°C | 5-Lead SOT-23 | T9B | RJ-5 | 500 |
| TMP06BRT-REEL | -40°C to +150°C | ±1°C | 5-Lead SOT-23 | T9B | RJ-5 | 10000 |
| TMP06BRT-REEL7 | -40°C to +150°C | ±1°C | 5-Lead SOT-23 | T9B | RJ-5 | 3000 |

¹ It is not recommended to operate the device at temperatures above 125°C for greater than a total of 5% of the lifetime of the device. Any exposure beyond this limit affects device reliability.
² Temperature accuracy is over the 0°C to 70°C temperature range.

NOTES